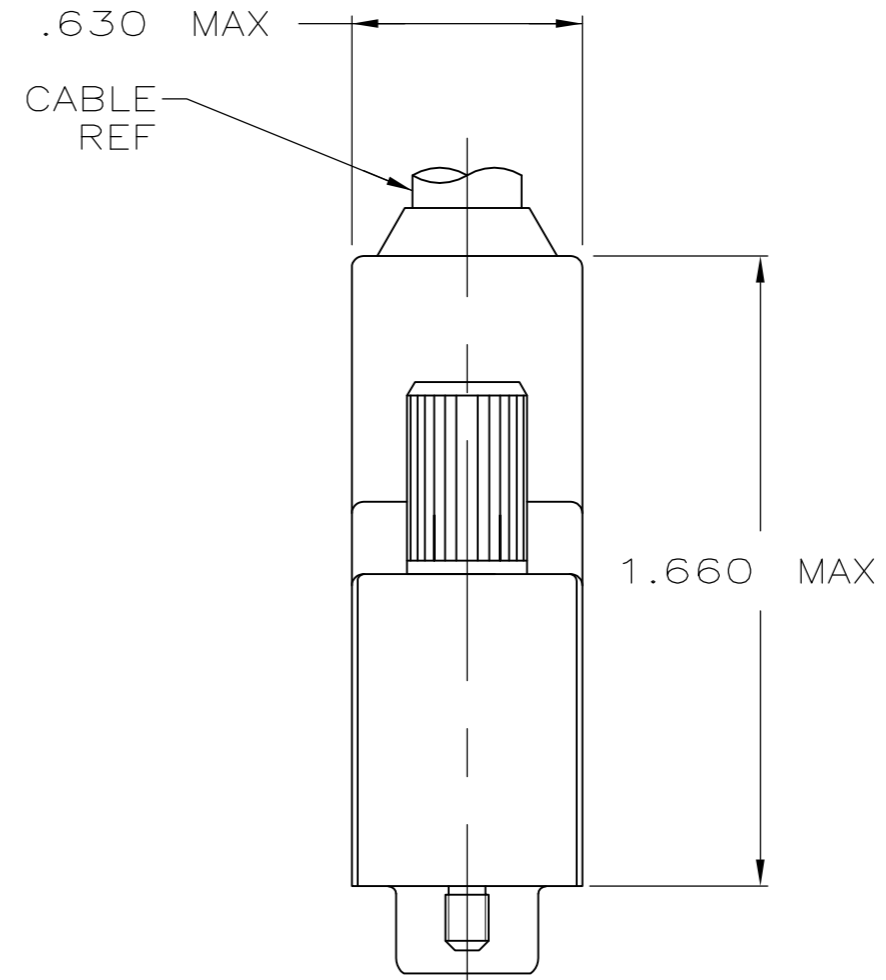
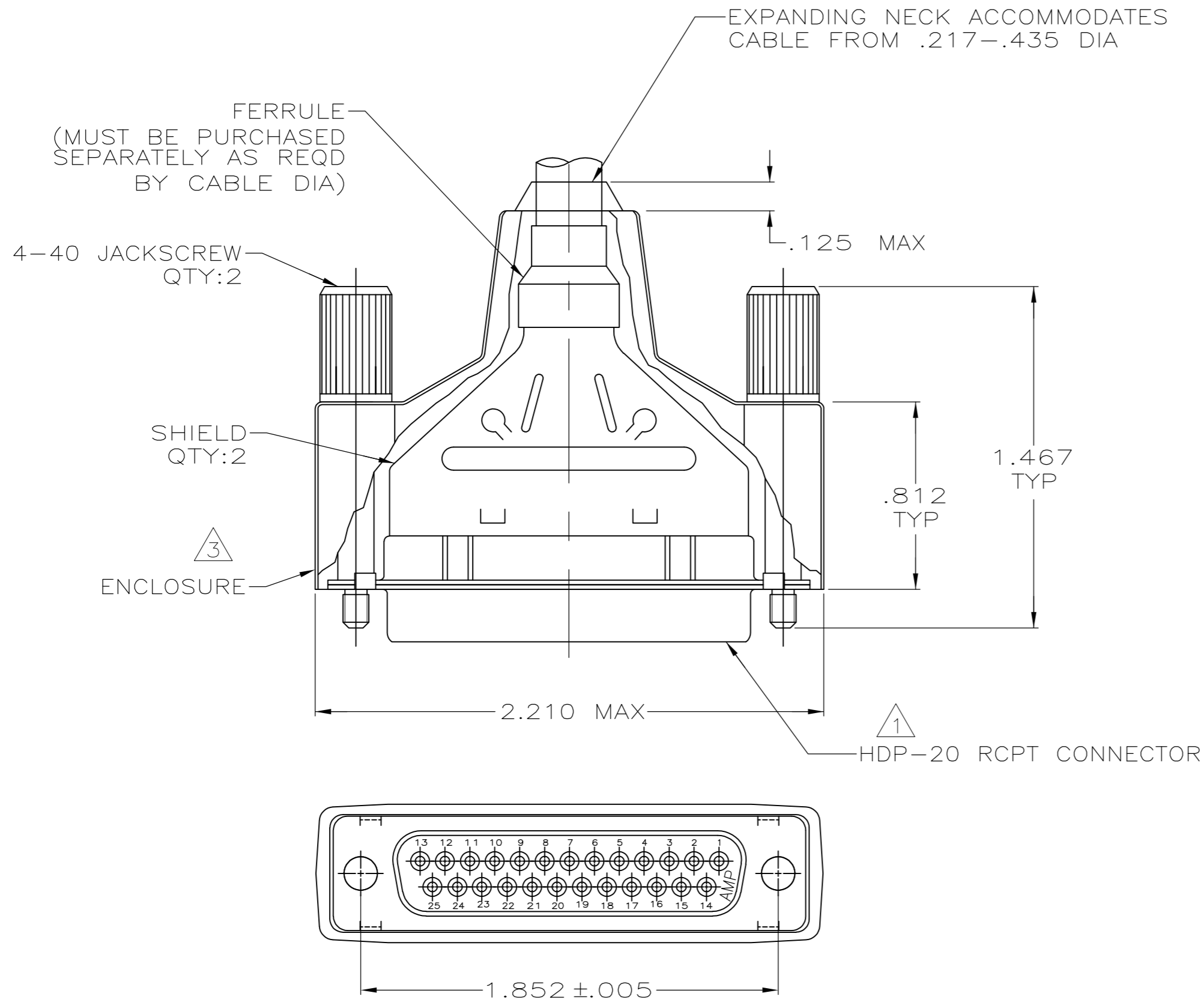


THIS DRAWING IS UNPUBLISHED. RELEASED FOR PUBLICATION  
 © COPYRIGHT BY TYCO ELECTRONICS CORPORATION. ALL INTERNATIONAL RIGHTS RESERVED.

LOC	DIST	REVISIONS					
GP	00	P	LTR	DESCRIPTION	DATE	DWN	APVD
		A		REVISED PER ECO-08-016984	10JUL08	JDP	CWR



- ① RCPT ACCEPTS SIZE 20 DF SOCKET CONTACTS. CONTACTS MUST BE PURCHASED SEPARATELY.
- 2. ALL PARTS SHIPPED UNASSEMBLED.
- ③ FLAME RETARDANT 94V-0 RATED, STYRENE POLYOLEFIN OR PVC, BLACK.
- ④ INSERT - FLAME RETARDANT 94V-0 RATED GLASS FILLED, NYLON OR POLYESTER, BLACK.
- ⑤ SHELLS & SHIELDS - STEEL PER ASTM A109.
- ⑥ SHELLS & SHIELDS - .000200 MIN TIN PLATE OVER .000100 MIN COPPER UNDERPLATE.
- ⑦ COMPONENTS INDIVIDUALLY BULK PACKED.
- ⑧ ZINC ALLOY.
- ⑨ ZINC PHOSPHATE COATING, BLACK.

⑦	W/LOGOS	⑨	⑧	1658658-1
PACKAGING	REMARKS	FINISH	MATERIAL	TE PART NUMBER
		4-40 JACKSCREWS		

THIS DRAWING IS A CONTROLLED DOCUMENT.		DWN	J.REITZEL	31JUL03	Tyco Electronics Corporation Harrisburg, PA 17105-3608	
DIMENSIONS: mm		CHK	S.BOLASH	31JUL03		
TOLERANCES UNLESS OTHERWISE SPECIFIED:		APVD	M.WALMSLEY	31JUL03		
0 PLC ± - 1 PLC ± - 2 PLC ± - 3 PLC ± .020 4 PLC ± - ANGLES ± -		NAME	BULK KIT, RCPT, SHIELDING ENCLOSURE, SIZE 3, 25 POSN, AMPLIMITE HDP-20			
MATERIAL		PRODUCT SPEC	108-40030		SIZE	A2
SEE TABLE ④ ⑤		APPLICATION SPEC	114-40030		CAGE CODE	00779
FINISH		WEIGHT	-		DRAWING NO	C=1658658
SEE TABLE ⑥		CUSTOMER DRAWING			SCALE	2:1
					SHEET	1 of 1
					REV	A

1658658